

## MT-182018/NLH

### 430 - 440 MHz, 4 dBic, Reader Antenna



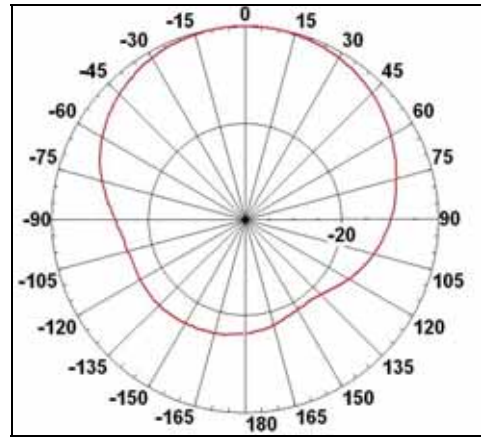
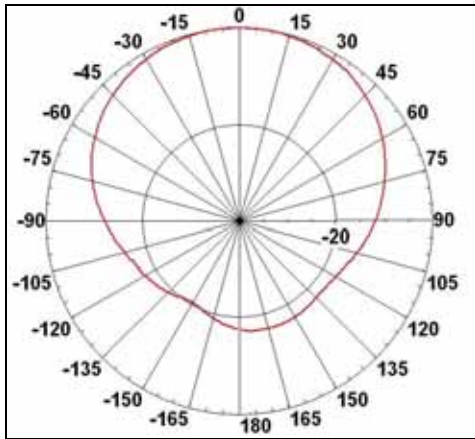
#### Specifications

MTI PART NUMBER		MT-182018/NLH		
<b>ELECTRICAL</b>				
REGULATORY COMPLIANCE	RoHS, CE 0682			
FREQUENCY RANGE	430 - 440 MHz			
GAIN	3.5 dBic (min) 4 dBic (typ)			
VSWR	1.3:1 (typ) 1.5:1 (max) @ 430-435 MHz 1.5:1 (typ) 1.7:1 (max) @ 436-440 MHz			
3 dB BEAMWIDTH	88° (typ)			
POLARIZATION	LHCP			
FRONT TO BACK	-15 dB (max)			
AXIAL RATIO AT BORESIGHT	3 dB (max) @ 430 - 431 MHz 2 dB (max) @ 432 - 434 MHz 3.5 dB (max) @ 435 - 437 MHz 6 dB (max) @ 438 - 440 MHz			
INPUT IMPEDANCE	50 (Ohm)			
INPUT POWER	6 W (max)			
LIGHTNING PROTECTION	DC Grounded			
<b>MECHANICAL</b>				
DIMENSIONS (LxWxD)	305x305x25mm (max)			
WEIGHT	2.3 kg (max)			
CONNECTOR	N-type Female			
RADOME	Plastic			
BASE PLATE	Aluminum with chemical conversion coating			
OUTLINE DRAWING	See page 2			
MOUNTING KIT	MT-120018			
<b>ENVIRONMENTAL</b>				
TEST	STANDARD	DURATION	TEMPERATURE	NOTES
TEMPERATURE	IEC 68-2-1/2	72 h	-55°C to +71°C	-
TEMP. CYCLING	IEC 68-2-14	1 h	-45°C +70°C	3 Cycles
THERMAL SHOCK NON-OPER.		-30°C to +70°C	Ramp 30°C/min	
HUMIDITY	ETSI EN300-2-4 T4.1E	144 h	-	95%
WATER TIGHTNESS*	IEC 529	-	-	IP67
DUST RESISTANCE*				IP67
SOLAR RADIATION	ASTM G53	1000 h	-	-
OZONE RESISTANCE	ETSI 300			
FLAMMABILITY	UL 94	-	-	Class HB
QUASI RANDOM VIBRATION				20g rms for 4 hours
VEHICLE VIBRATION OPERATING	1g rms, 10-500 Hz, in 3 axis	6 hours total, 2 hr in each axis. Accelerated wear - an additional 50hrs in worst case axis.		
MECHANICAL SHOCK OPERATING	10g, 11 msec, half sine pulse			

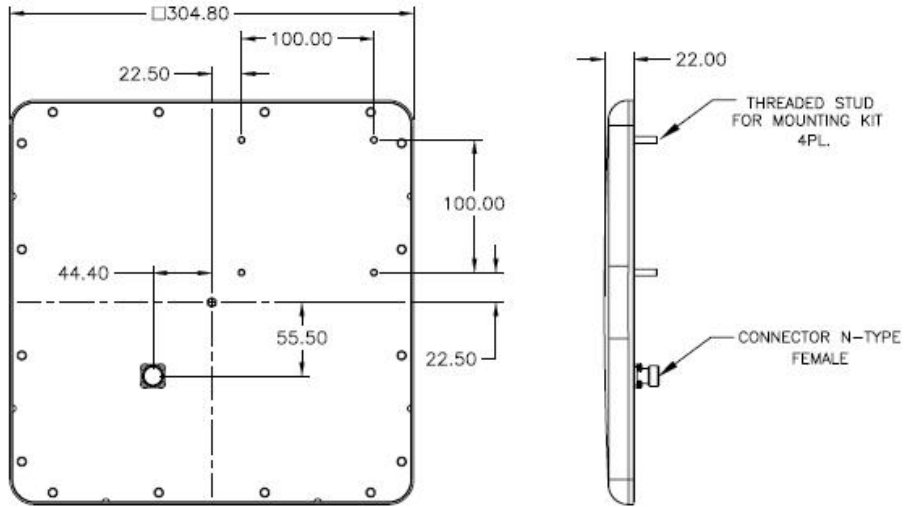
**MT-182018/NLH**

**430 - 440 MHz, 4 dBic, Reader Antenna**

Azimuth Radiation Pattern Midband Freq. 0.435 GHz      Elevation Radiation Pattern Midband Freq. 0.435 GHz



**Dimensions [mm]**



**Existing Antenna Versions**

MT-182018/SLH/E	Integrated Antenna Enclosure Version
-----------------	--------------------------------------

MTI Wireless Edge is certified according to ISO 9001 and ISO 14001.

**WAIVER!**  
 While the information contained in this document has been carefully compiled to the best of our present knowledge, it is not intended as presentation or warranty of any kind on our part regarding the fitness of the products concerned for any particular use or purpose and neither shall any statement contained herein be construed as a recommendation to infringe any industrial property rights or as a license to use any such rights. The fitness of each product for any particular purpose must be checked beforehand with our specialists.