



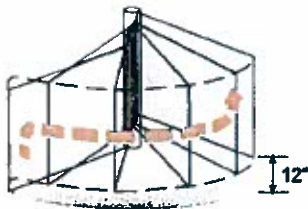
Can You Spot the Gate Operator?

HRG 220



The HRG 220 Swing Gate Operator

THIS OPERATOR WAS THE FIRST OF THE **Security** gate operators to use hy-power. Its proven design has been in continuous production and refinement for over twenty years. The **HRG 220** series operator is the only truly industrial-grade swing gate operator on the market today.



This tough operator is ideally suited to dependable operation of massive iron or steel gates. Its

3000-lb capacity provides plenty of power, and the *Lift and Swing* feature eliminates normal obstacles such as heavy fall and inclined or irregular roadways. operator's mechanism is wholly in the post and uses no other devices to push or pull on the gate panel. Its closing action actuates a locking pin at the end of the gate.

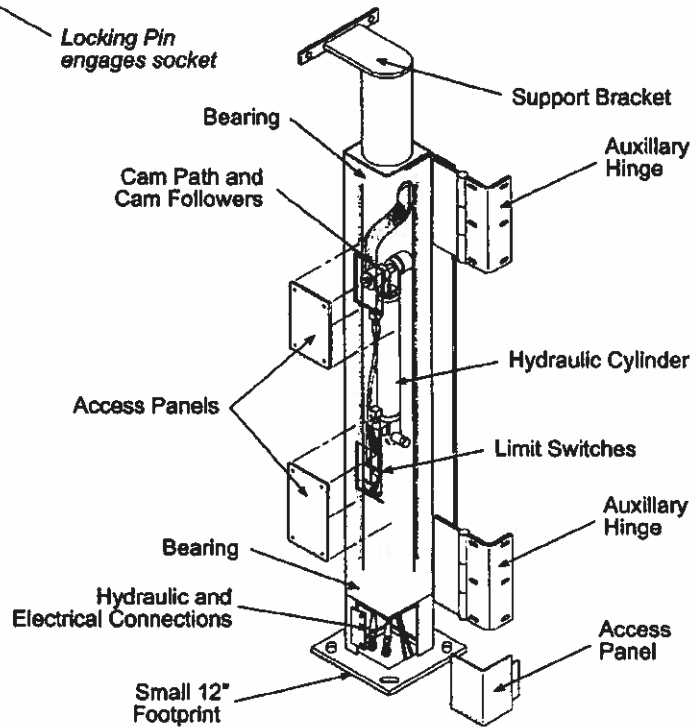
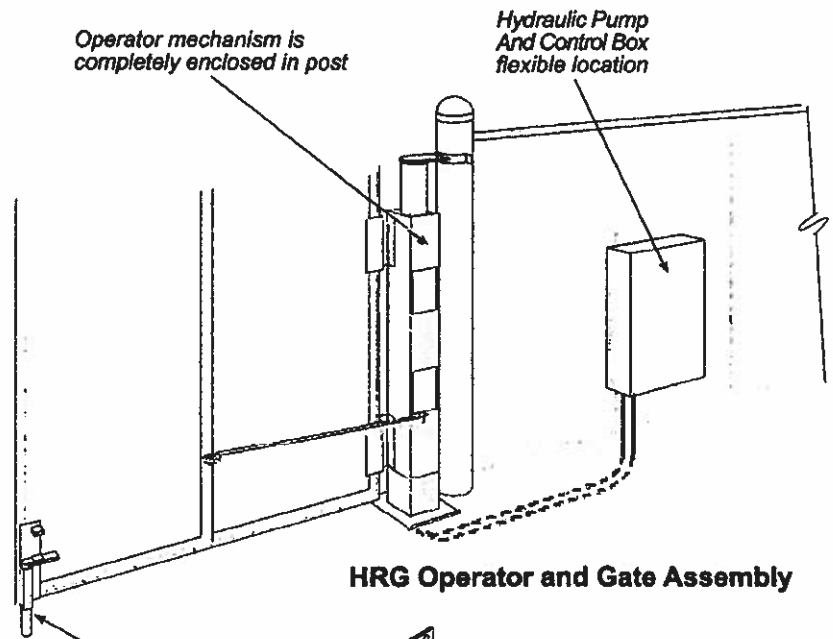
A full line of accessories is available, including heaters, hand pumps, and a complete array of safety equipment. The controls and pump pack are located remotely, allowing for a clean presentation at the side of the drive. A five-year warranty comes with this fine machine.

Features:

- **Remote Power Pack** Low-profile power pack and electric panel remotely located
- **Flexible 24-Volt Control Circuit**
- **Heavy Duty Components** Handles gates to 3000-lbs and 16-ft wide of any construction
- **Quarter Turn Rotating Post** Arc of 90° or 100°(special order), no actuating arms or back space required
- **HRG 222 Configuration** For pairs of swing gates: two operator posts, one power pack
- **Battery Powered Models** All Swing Gate operators are available with 24-VDC motors and uninterruptable power supplies
- **5-Year Limited Warranty**

Particulars of the HRG 220 Swing Operator:

- Available in either single leaf (HRG 220) or double leaf, biparting (HRG 222).
- HRG 220a—14 seconds to open or close, gates up to 13ft wide, weight up to 1000 lbs.
- HRG 220b—19 seconds to open or close, gates up to 16ft wide, weight from 1000 lbs to 1600 lbs.
- HRG 220c—30 seconds to open or close, gates up to 16ft wide, weight from 1600 lbs to 3000 lbs.
- Arc of swing set at factory: 90° standard, 100° special order.
- Power pack and electric panel are designed to be remotely located.
- Twelve-inch rise in the opening cycle handles awkward inclines easily.
- Closing action drops locking pin at end of gate into socket in driveway.
- Maximum gate width is sixteen feet. Maximum weight is 3000 lbs.
- Operator post is treated with an industrial galvanized flame spray finish to provide excellent corrosion resistance.
- Rated for continuous duty.
- All components are designed for easy removal during service.
- The hydraulic system features the latest technology, modular manifolds and individually replaceable cartridge valves.
- Fully compatible with all standard access control equipment.
- Accessories include heaters, timers, detectors, photo eyes, gate edges, release for manual operation, hand pumps, and master/slave units.
- Extended Five-Year Limited Warranty
Fully-formatted specifications and detailed drawings are available upon request.



Inside the HRG Swing Operator

distributed by: