

# PowerMaster



MADE IN THE U.S.A.

## Model P-5000 (WBG) WISHBONE ARM BARRIER GATE OPERATOR

### ELECTRICAL FEATURES

- Solid state control board with diagnostic LED's to facilitate maintenance and trouble shooting.
- External control, input terminal connections for:
  - Radio Receivers
  - Push Button Control Stations
  - Key Switches
  - Loop Detectors
  - Card Key Readers
  - Telephone Entry Systems, Etc.
- Timer to close with 0-10 second adjustment and On/Off selector switch.
- 45 second maximum run timer for equipment protection.
- Master/Slave option with dedicated terminal connections provided.
- Time delay on reverse to insure smooth gate motion and less stress on equipment.
- Spike suppressing circuitry for surge and lightning protection.
- Integral, 5 AMP., close warning output terminals.
- Anti-tailgate circuitry with dedicated connection terminals and LED indicator.
- 1/2 HP., 115 VAC., 6 AMP., 1 phase, instant reversing, switchless, PSC motor with thermal overload protection, high speed ball bearings and resilient mount for smooth, quiet operation.
- 24 VAC resettable circuit breaker for control circuit protection.
- Safety interlock protecting side access door.
- Internal On/Off power switch.
- Two grounded 115 Volt AC, 15 Amp. convenience receptacles.
- NEMA 1 three-button control station included.



## TECHNICAL SPECIFICATIONS

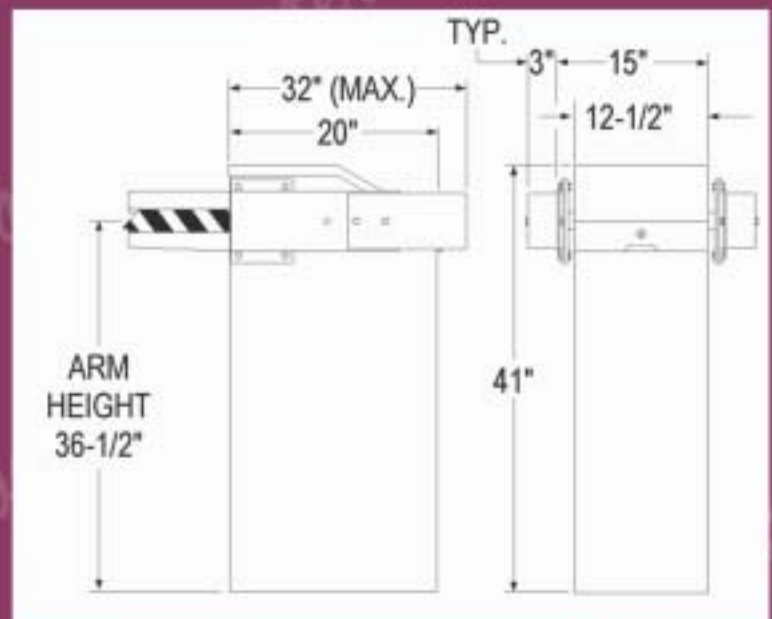
- Power requirements: 115 Volts, 1Phase
- Class 2 low voltage control circuit
- Available horse power: 1/2 HP
- Maximum arm length: 24 feet
- Maximum cycles per hour: 25 CPH
- Opening time: 4 sec.
- U/L listed.
- Shipping weight: approx. 320 LBS.

## MECHANICAL FEATURES

- Heavy duty #13 Ga. galvanized steel frame providing a strong and durable unit.
- #13 Ga. galvanized steel, lockable top cover and side door for easy access.
- Hard shell, baked-on weather resistant powder coating, with an attractive textured finish, for years of aesthetic protection from the elements.
- 45:1, oil bath type, gear reducer, using a full 360 degrees rotation, for long service and smooth, quiet operation.
- Heavy duty #50 sprocket and roller chain arrangement for intermediate drive reduction.
- Fully adjustable torque limiting clutch to protect drive train components.
- Heavy duty, pillow block type ball bearings, supporting output drive shaft and enabling extended endurance with low maintenance.
- Positive cam actuated limit switches insuring consistent and accurate arm positioning. Settings are never affected by manual operation or clutch slippage.
- Soft start and stop at the open and close limits of travel, due to the inherent geometry of the internal drive linkage.
- Pad mounted for a strong solid installation.
- Counterweights provided to balance arm and decrease stress on drive train.

## OPTIONAL EQUIPMENT

- Radio Control.
- Safety Edge (contact safety sensor).
- Photo Cell (non-contact safety sensor).
- Loop Detector.
- Card Key Reader.
- Gear Box Heater (for cold climates).
- Slow Speed Available for Larger Arms (opening time 8-1/2 sec.)
- Interior and Exterior Control Stations:
  - Push Buttons
  - Push Buttons with Keyed Lockout
  - Key Switches
- Light Kit to Increase Arm Viability at Night.
- Audio Warning Horn or Warning Lights.



DISTRIBUTED BY: