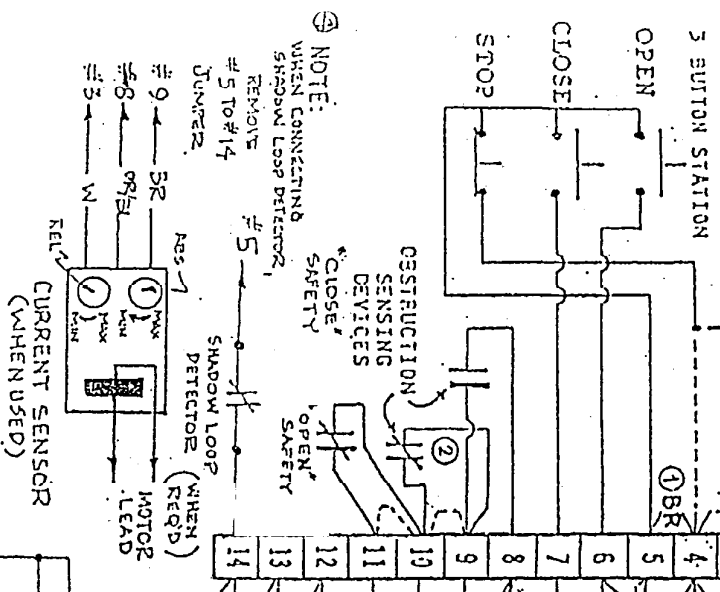


4	R4
3	R3
2	R2
1	R1

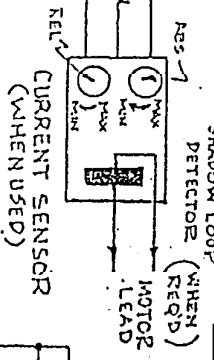
EXTERNAL RADIO CONNECTION

RADIO FCVR

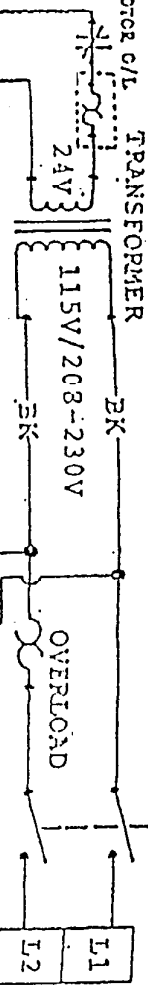
EXT'L INT'LK (WHEN REQ'D)
ALL INTERLOCKS WIRE IN
SERIES BETWEEN TERMINAL
#4 AND STOP BUTTON



NOTE:
WHEN CONNECTING
SHADOW LOOP DETECTOR,
REMOVE
#5 TO #14
JUMPER.

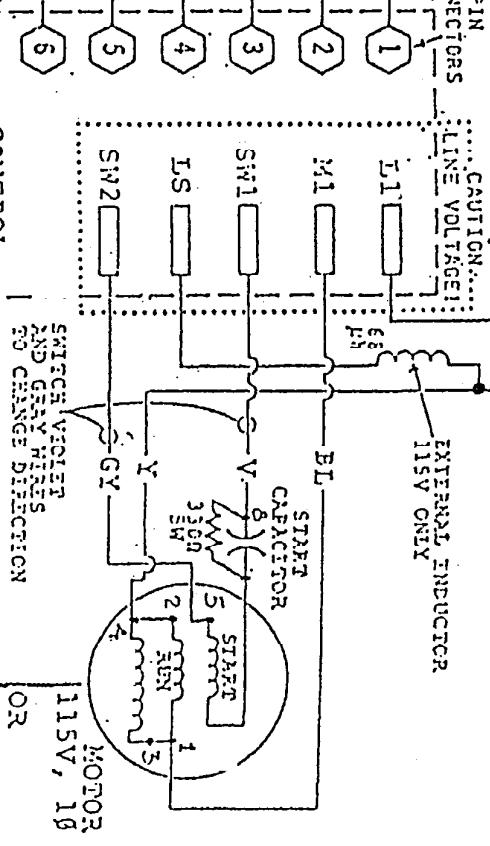


MOTOR C/L TRANSFORMER



POWER SWITCH

EXTERNAL INDUCTOR
115V ONLY

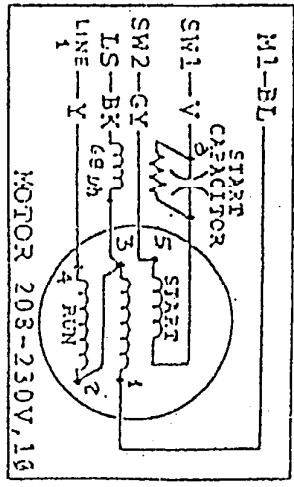


PROGRAM SWITCHES

RUN TIME SAFETY SELECT '3'
RUN TIME SAFETY SELECT '2'
RUN TIME SAFETY SELECT '1'

SHADOW LOOP SWITCHES RUN TIME SAFETY SELECT:

2 & 8 SECONDS: SWITCHES 2 & 3 ON.
45 SECONDS: SWITCH 2 OFF, SWITCH 3 ON.
60 SECONDS: SWITCHES 2 & 3 OFF.
9 & 13 SECONDS: SWITCH 2 ON, SWITCH 3 OFF.



WIRED FOR:
V-1 Ø

NOTE:
WIRE IS NOT USED WHEN EXTERNAL INTERLOCK
SWITCH OR STOP BUTTON IS USED.

- ① SWITCH OR STOP BUTTON IS USED.
- ② OBSTRUCTION SENSING DEVICES MAY BE N.O. TYPE (STANDARD AIR SWITCH, ELECTRIC EDGE, ETC.) OR N.C. "FAILSAFE" TYPE (PHOTOCELL, ETC.).
- ③ #1 DIPSWITCH MUST BE SET TO "OFF"

MODEL: SWING GATE OPERATOR
W/FALS522-SS4 CONTROL BOARD
DATE: 2-94 REV: 6
BY: R.L. Dr. by: J.D.
SPECIAL: WIRING FOR "SHADOW LOOP" DETECTOR
WIRING DIAGRAM 5531-DR