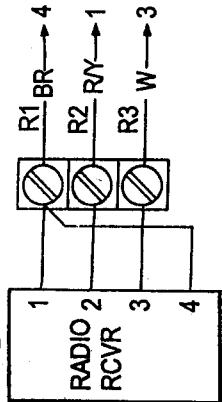
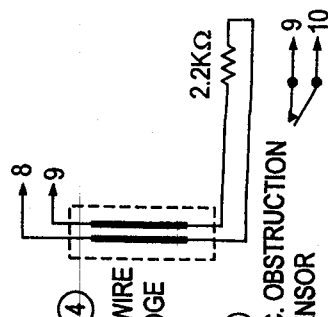


②



EXT. INTERLK (WHEN REQ'D)

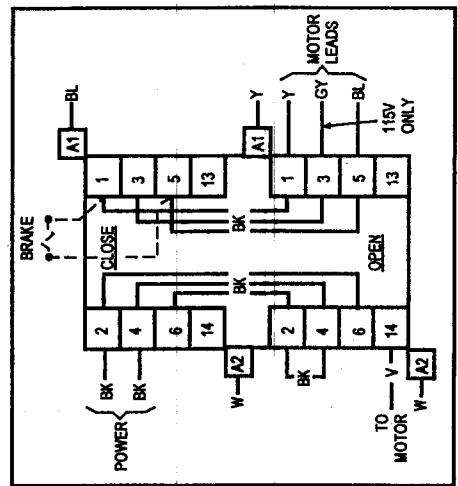


④ C. OBSTRUCTION SENSOR

▲ REMOVE JUMPER WHEN USED

- ① WIRE IS NOT USED WHEN EXTERNAL INTERLOCK SWITCH OR STOP BUTTON IS USED.
- ② OBSTRUCTION SENSING DEVICES MAY BE N.O. TYPE (STANDARD AIR SWITCH, ELECTRIC EDGE, ETC.) OR N.C. "FAIL-SAFE" TYPE (PHOTOCELL, ETC.)
- ③ MOVE RED WIRE FROM #7 TO #5 FOR MOMENTARY PRESSURE CLOSE.

WIRED FOR V, 1Ø



BRUN TIME SAFETY SELECT "1"  
 RUN TIME SAFETY SELECT "2"

PROGRAM SWITCHES  
 1 2 3 ON  
 4 5 6 ON  
 7 8 ON  
 9 10 ON  
 11 12 ON  
 13 ON

RUN TIME SAFETY SELECT:  
 28.8 SECONDS: SWITCHES 1 AND 2 "ON"  
 45 SECONDS: SWITCH 1 "OFF", SWITCH 2 "ON"  
 60 SECONDS: SWITCHES 1 AND 2 "OFF"  
 92.13 SECONDS: SWITCH 1 "ON", SWITCH 2 "OFF"  
 #3 DIPSWITCH MUST BE SET TO "ON"

"CLOSE AUX."  
 53  
 54  
 BR  
 W  
 #3  
 CYCLE COUNTER (OPTIONAL)

UL OVERLOAD  
 L2-HOT  
 L1-NEUTRAL  
 1Ø LINE IN  
 GRD

115V ONLY  
 115V/200V/240V

POWER MASTER  
 MODEL: DOOR OPERATOR S66 TPU MODULE 1Ø  
 CYCLE COUNTER (OPTIONAL)  
 DATE: 3-27-00 REV. 4  
 BY: F.S.  
 115V/200V/240V  
 WIRING DIAGRAM NO.: 5631-1  
 © Copyright PowerMaster, 1997  
 No portion of this diagram may be reproduced without the expressed written permission of the manufacturer.