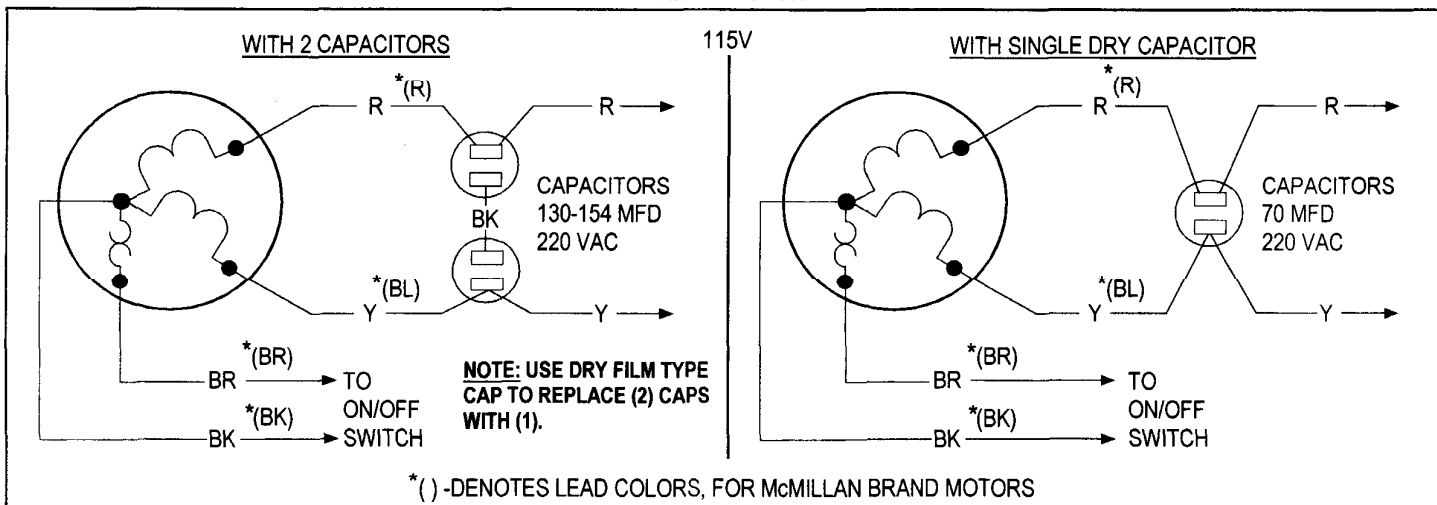
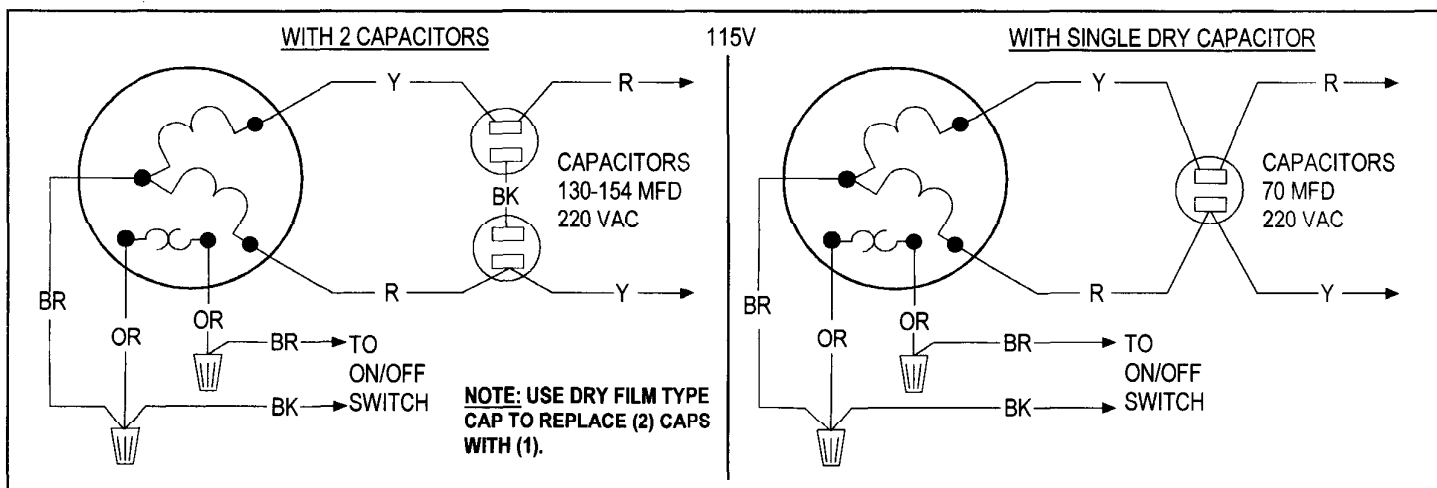


WIRING FOR LIMITED DUTY MOTORS

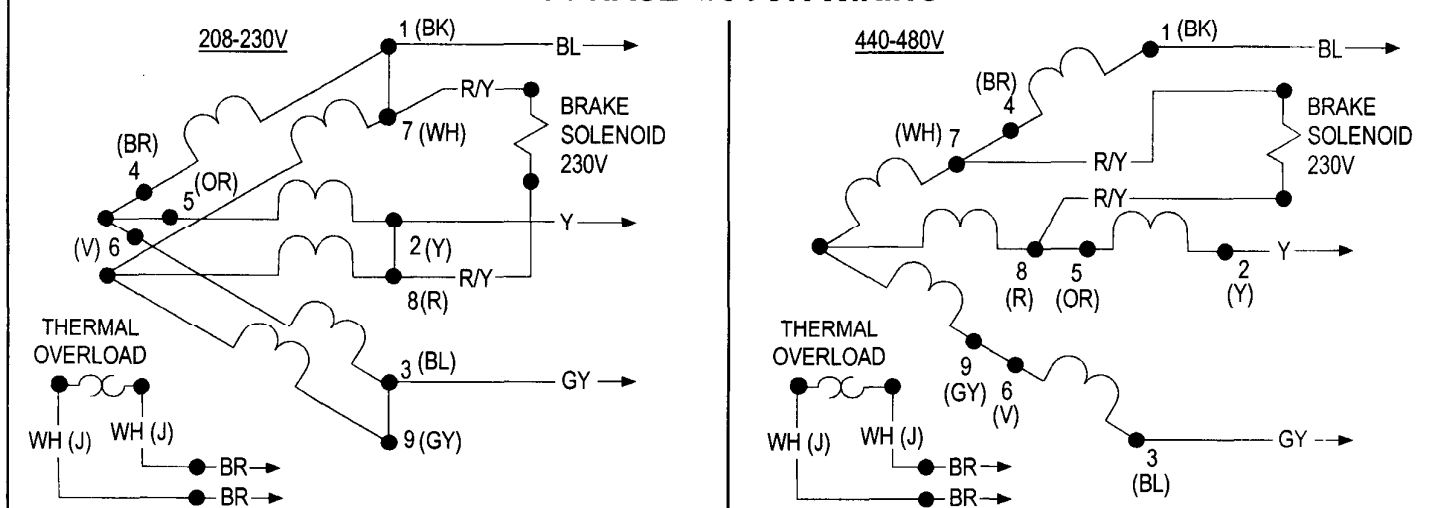
4 LEAD MOTOR



MARATHON 5 LEAD MOTOR



*3 PHASE MOTOR WIRING



*IF MOTOR RUNS IN THE WRONG DIRECTION, INTERCHANGE THE BLUE AND YELLOW WIRES THAT CONNECT CONTACTOR TO MOTOR. MAKE THIS CHANGE WITHIN MOTOR WIRING ACCESS COVER.