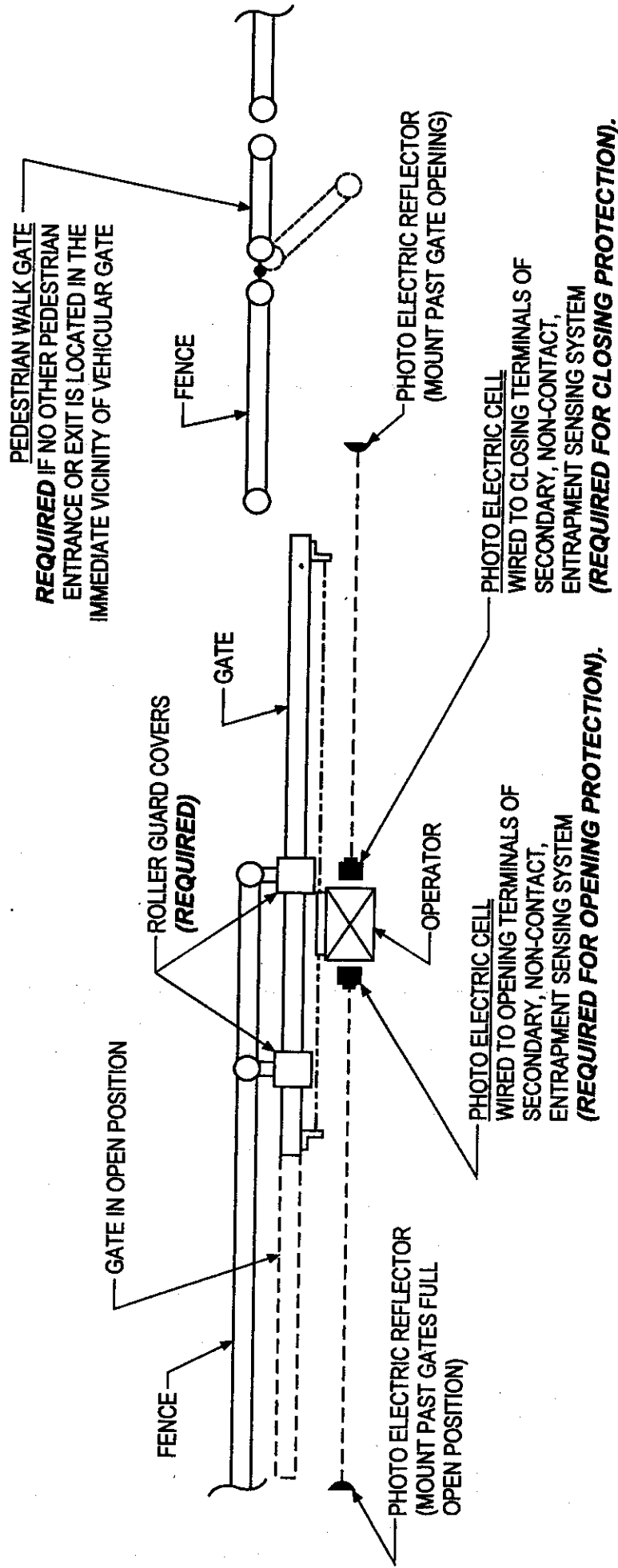


PowerMaster

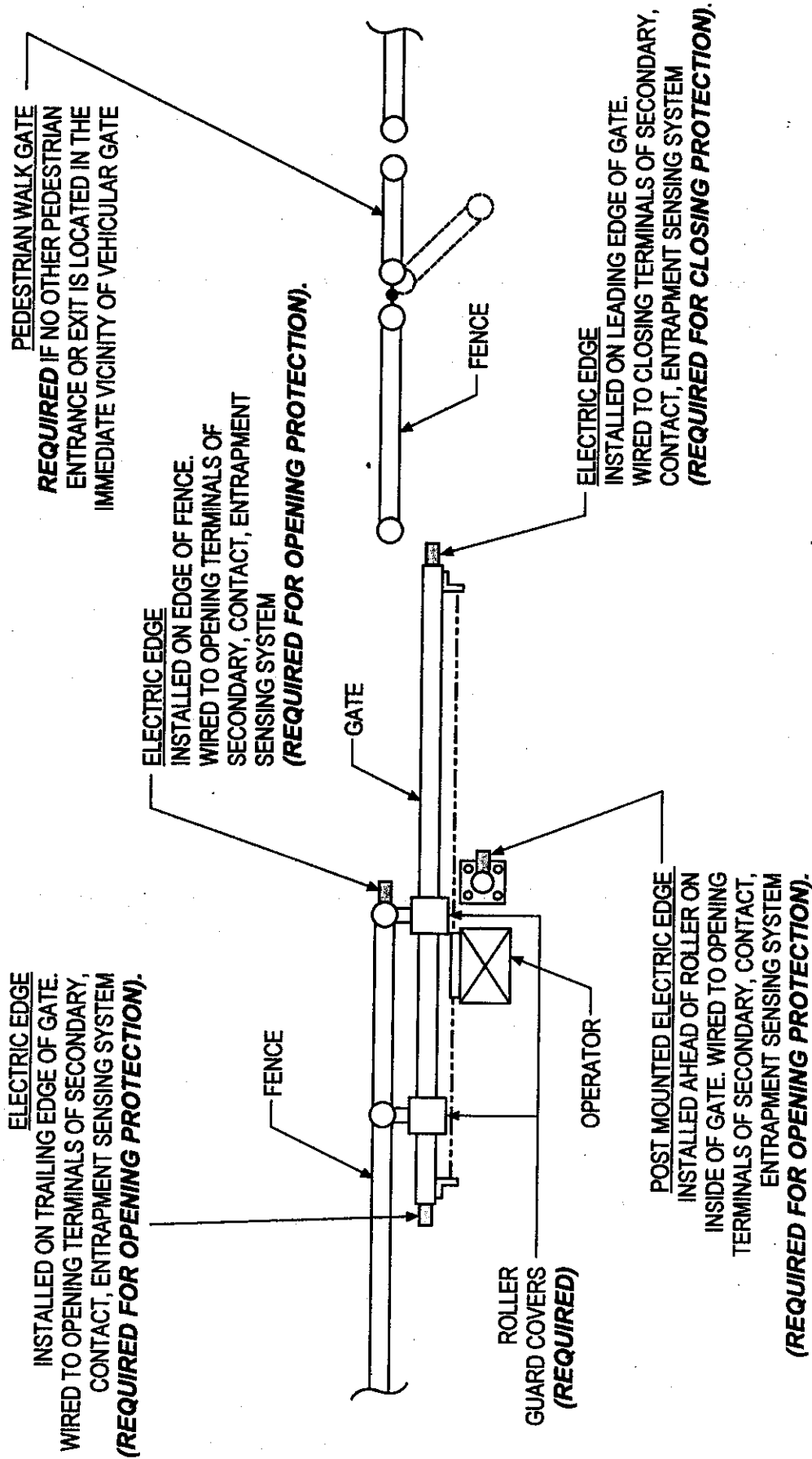
PHOTO ELECTRIC CELL, NON-CONTACT SENSOR INSTALLATION FOR SLIDE GATES



NOTE: IF A 2-1/4" DIA. SPHERE CAN BE PASSED THROUGH THE GATE OR FENCE, A GUARD OR SCREEN MUST BE INSTALLED TO PREVENT THIS. PROTECTION MUST BE AT LEAST 4' HIGH FROM THE BOTTOM OF THE GATE OR FENCE. THE FENCE AREA AFFECTED IS THE PORTION THAT IS ADJACENT TO THE GATE WHEN IT IS IN ITS FULL OPEN POSITION.

PowerMaster

ELECTRIC EDGE, CONTACT SENSOR INSTALLATION FOR SLIDE GATES



NOTE: IF A 2-1/4" DIA. SPHERE CAN BE PASSED THROUGH THE GATE OR FENCE,
A GUARD OR SCREEN MUST BE INSTALLED TO PREVENT THIS.
PROTECTION MUST BE AT LEAST 4' HIGH FROM THE BOTTOM OF THE
GATE OR FENCE. THE FENCE AREA AFFECTED IS THE PORTION THAT IS
ADJACENT TO THE GATE WHEN IT IS IN ITS FULL OPEN POSITION.